

## ZTA 阻尼弹簧减震器安装说明

### ZTA Damping shock absorber Installation instructions

安装前，请确认淞江集团橡胶弹簧减震器的型号和规格是否正确。

Before installation, make sure the model and the specification are correct.

#### 安装说明

#### Installation guide

所需工具：M10、M12、M14、M16、M20 开口扳手。

Required tools: M10、M12、M14、M16、M20 open wrenches.

检查附件是否齐全，弹簧减震器是否有缺陷或破损。（如图 1）

Check the isolator and other accessories see if they are all completely or having any defects. (Fig 1)

将弹簧减震器放到设备的安装位置。（如图 2）

Place the isolator on the correct installation position. (Fig 2)

锁紧螺母和垫片，确保设备和弹簧减震器固定到位。（如图 3）

Fasten the nuts and washers to ensure the equipment feet holes are fixed to the isolator. (Fig 3)

安装后请检查弹簧下压量，如弹簧压到底，则表示荷重不足，没有减震效果。应该更换较大荷重的弹簧减震器型号，并请于本公司业务人员联系。

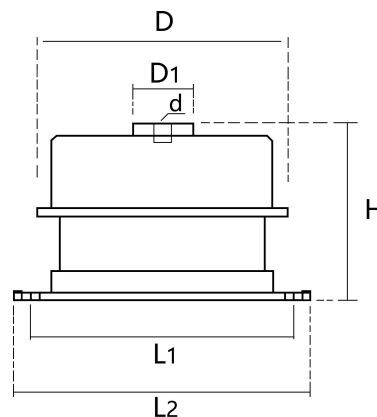
After the adjustment, check the press amount of the spring. If it appears with insufficient loading, please replace with bigger loading by contacting our staff.

安装时 请注意安全。

Be cautious during the installation.

ZTA 型弹簧减震器实物：

ZTA type shock absorber parameter table:



ZTA 型弹簧减震器参数表:

ZTA type shock absorber parameter table:

型号 Type	最佳载荷 Optimum load (kg)	外形尺寸 Dimensions (mm)					
		H	D	L1	L2	d	d1
ZTA-10	10	70	65	75	95	10	11
ZTA-20	20	70	65	75	95	10	11
ZTA-30	30	70	65	75	95	10	11
ZTA-40	40	70	65	75	95	10	11
ZTA-60	60	70	65	75	95	10	11
ZTA-80	80	110	85	105	125	12	11
ZTA-120	120	110	85	105	125	12	11
ZTA-160	160	110	85	105	125	12	11
ZTA-240	240	110	85	105	125	12	11
ZTA-320	320	145	130	145	165	14	13
ZTA-480	480	145	130	145	165	14	13
ZTA-640	640	145	130	145	165	14	13
ZTA-820	820	150	190	210	245	16	15
ZTA-1000	1000	150	190	210	245	16	15
ZTA-1280	1280	150	190	210	245	16	15
ZTA-1500	1500	150	190	210	245	16	15
ZTA-2000	2000	150	190	210	245	16	15
ZTA-2700	2700	160	320	192	240	20	/
ZTA-3500	3500	160	320	192	240	20	/
ZTA-4800	4800	160	320	192	240	20	/

保养须知: 每月要观察 CS 固定螺栓是否有松动, 保持弹簧减震器安装时弹簧下压挠度是否正常。  
 Maintenance checking points: remain M12 fixed bolt locked, balance of the base, installation of the isolator, and the deflection of the spring.

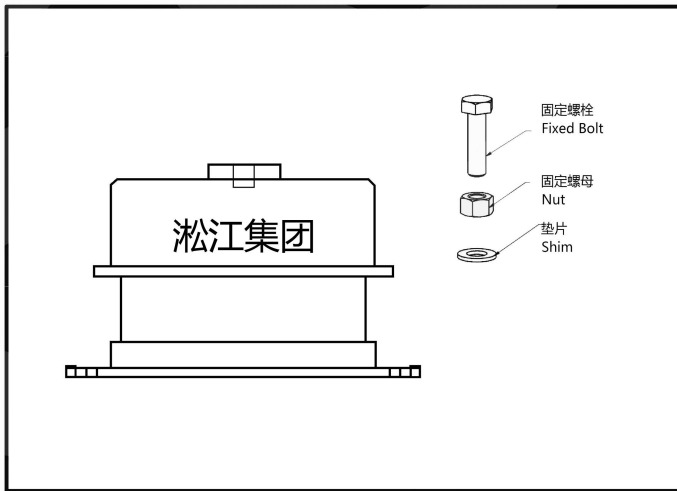


图 1) 检查附件是否齐全，弹簧减震器是否有缺陷或破损。

Fig 1) Check the isolator and other accessories see if they are all completely or having any defects.

图 2) 将弹簧减震器放到设备的安装位置。

Fig 2) Place the isolator on the correct installation position.

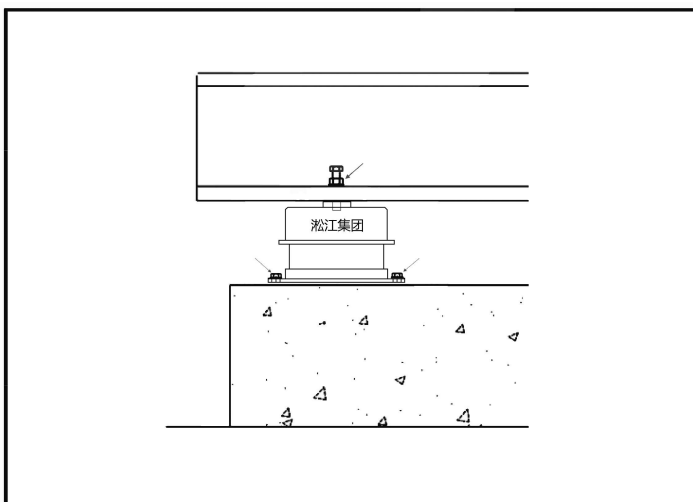
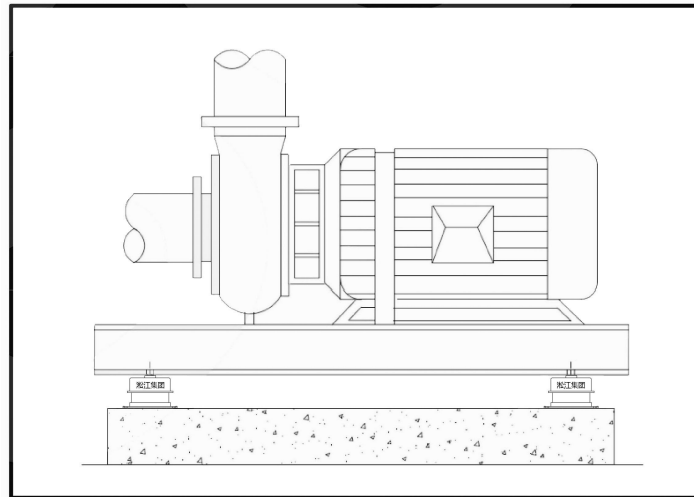


图 3) 锁紧螺母和垫片，确保设备和弹簧减震器固定到位。

Fig 3) Fasten the nuts and washers to ensure the equipment feet holes are fixed to the isolator.